

# COMPACT S1 PRO



✉ contact@polyga.com

🌐 www.polyga.com



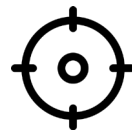
# COMPACT S1 PRO



Convenient and easy to use, this professional 3D scanner is factory calibrated for accuracy to get you 3D scanning in no time. The Polyga Compact 3D scanners are great for any companies, manufacturers, academic institutions, visual effect studios, and research labs that need accurate and reliable 3D scan data.

The Compact S1 Pro comes in two models:

- S1 Pro with a 100mm Diagonal FOV
- S1 Pro Wide with a 200mm Diagonal FOV



## HIGH ACCURACY

Achieve high-accuracy of up to 30 microns verified in accordance with VDI/VDE 2634 part 3 using NIST-calibrated artifacts.



## UPGRADED CAMERAS

Improved 5 megapixel dual cameras for capturing surfaces in exceptional detail with color photo texture support.



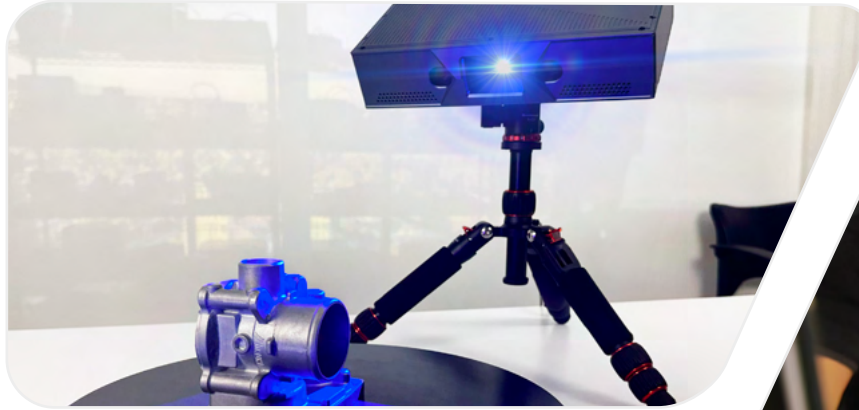
## TARGETLESS SCANNING

No need for endless preparation and removal of scan targets. Effortlessly setup, calibrate and shoot.



## SDK COMPATIBLE

Polyga's SB SDK is a set of programmable API's that allow users to directly communicate and control any of Polyga's 3D scanners using C++, C# or Command line.



### EXTERNAL TRIGGERS

External Trigger support for seamless integration in industrial automation and robotics.



### PROFESSIONAL GRADE

Professional Grade 6061 Aluminum Alloy Body with Sandblasted Anodized Scratch Resistant Coating



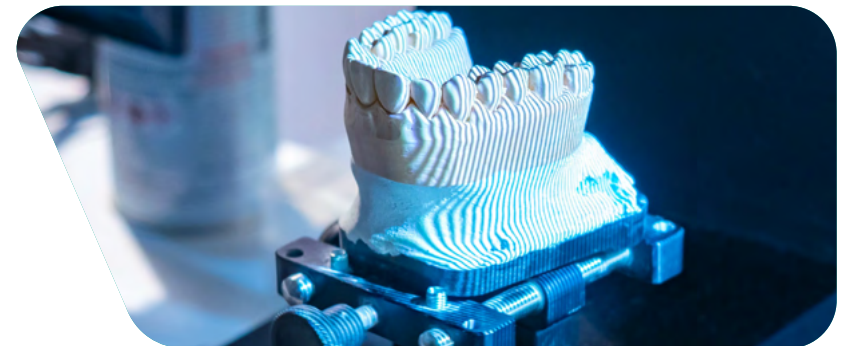
### POWERFUL PROJECTOR

Capture more precise and accurate shapes and intricate details with the new more powerful high lumen projector.



### STRUCTURED LIGHT

The Compact S1 Pro functions as a structured light scanner, swiftly capturing intricate surface details of components with high-resolution and precision.



# Technical specs

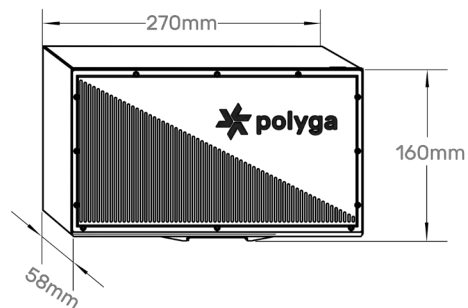
## COMPACT S1 PRO

<b>DIMENSIONS</b>	Product dimensions	W = 270 mm H = 58 mm L = 160 mm	
	<b>ACCURACY &amp; RESOLUTION</b>	Accuracy	30 microns
	Point to point distance	0.048mm	
<b>FIELD OF VIEW</b>	3D resolution, up to	Up to 5 million	
	Standoff	165mm - 235mm	
	Minimum field of view, D / H × W @ mid plane	165mm standoff 136mm / 82mm x 109mm	
	Maximum field of view, D / H × W @ mid plane	235mm standoff 158mm / 114mm x 110mm	

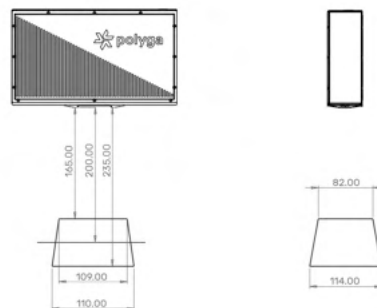
## COMPACT S1 PRO WIDE

<b>DIMENSIONS</b>	Product dimensions	W = 270 mm H = 58 mm L = 160 mm	
	<b>ACCURACY &amp; RESOLUTION</b>	Accuracy	35 microns
	Point to point distance	0.093mm	
<b>FIELD OF VIEW</b>	3D resolution, up to	Up to 5 million	
	Standoff	300mm - 500mm	
	Minimum field of view, D / H × W @ mid plane	300mm standoff 199mm / 136mm x 146mm	
	Maximum field of view, D / H × W @ mid plane	500mm standoff 304mm / 212mm x 218mm	

### COMPACT S1 PRO

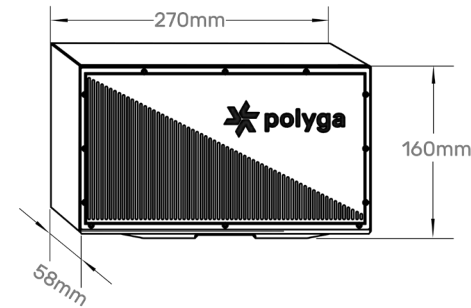


### FIELD OF VIEW



<b>SCAN SPEED</b>	3D reconstruction rate for real-time	250 ms
<b>TEXTURE</b>	Texture capture support	Yes
	Texture resolution	5.0 Megapixel
	Colors	Yes
	Photo texture support	Yes
<b>PROJECTOR &amp; CAMERA</b>	Light projector	LED projector
	Capture camera	2 x 5.0 Megapixel cameras
<b>CONNECTIVITY</b>	Input / Output	USB 3.0
<b>COMPUTER REQUIREMENTS</b>	Support OS	Windows 10, 11 x 64. Not compatible with Netbooks or Macintosh computers.
	Minimum computer requirements	Any Intel Core or AMD Ryzen CPU with 16+ GB of RAM
		Dedicated DirectX 9.0c compatible GPU
<b>FREE DISK SPACE</b>	Recommended free disk space	1 TB or more; 7200 rpm
	Minimum free disk space	50 GB or more
<b>OUTPUT FORMATS</b>	3D mesh	3D3, ASC, OBJ, PLY, STL, FBX
<b>POWER SOURCE</b>	Power source	12V = 10A AC/DC Power

### COMPACT S1 PRO WIDE



### FIELD OF VIEW

